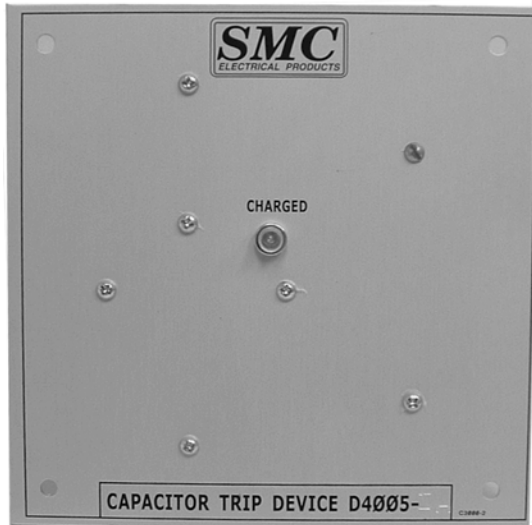


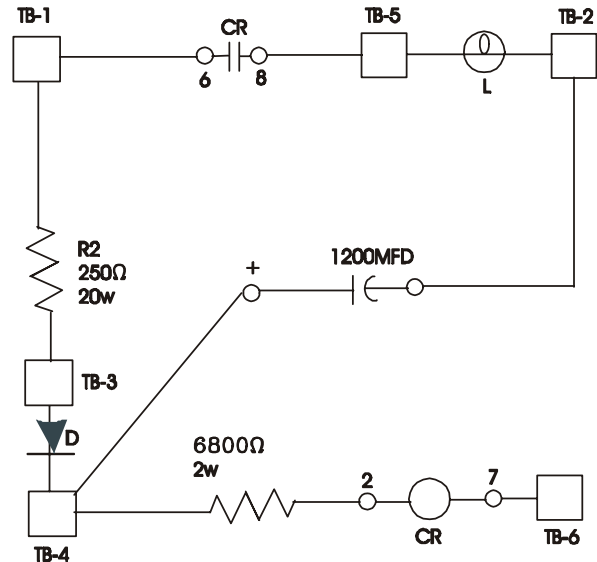


Installation & Instruction Sheet

Capacitor Trip Device (D-4005-2A)



SCHEMATIC DIAGRAM:

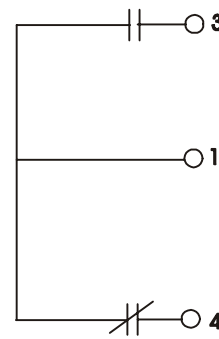
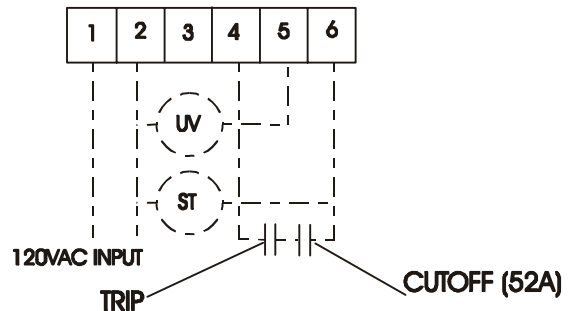


GENERAL INFORMATION:

The capacitor trip relay is designed for 240 VAC input. It is used with a shunt trip. It can be used with undervoltage but must have a shunt trip or jumper between terminals 2 and 6. When capacitor is fully charged the CR relay will energize and indicating light will illuminate.

SPECIFICATIONS:

- Input Voltage:** 240 VAC
- Trip Contacts:** 10 Amps at 240 VAC resistive
- Output Voltage:** 300 VDC fully charged



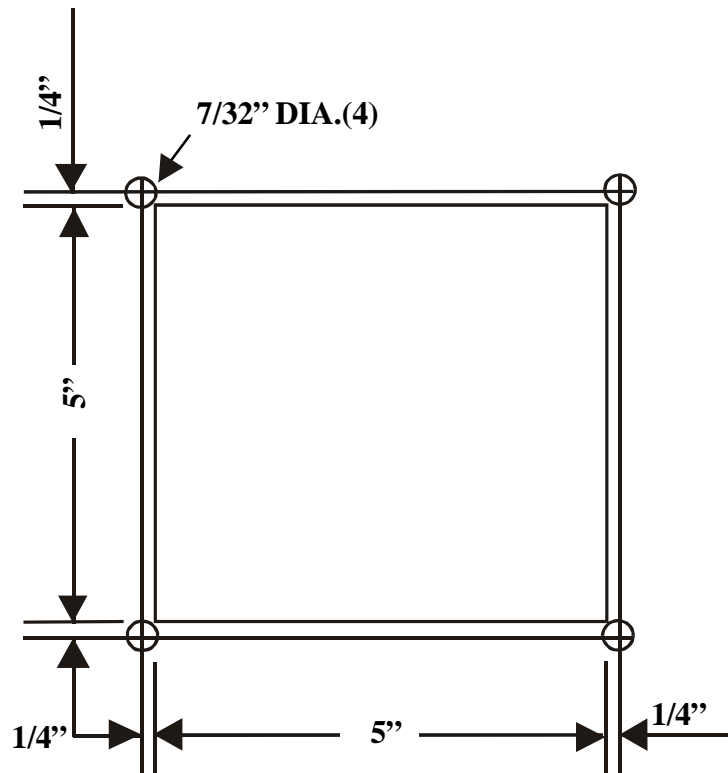
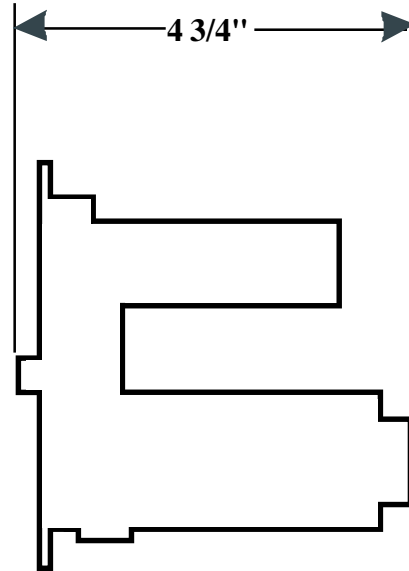
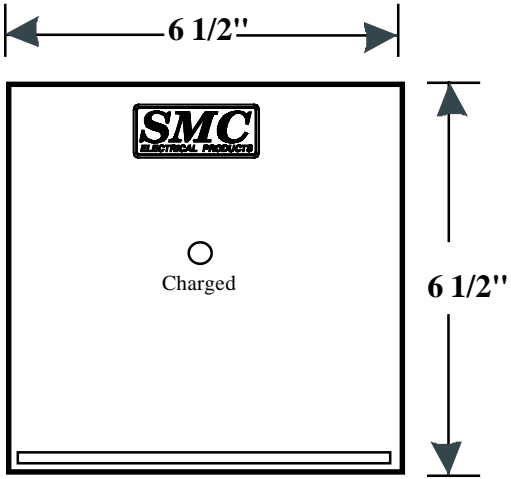
CR AUX CONTACTS

See back for dimensional information



Installation & Instruction Sheet

Outline Dimensions*



* Not to Scale