



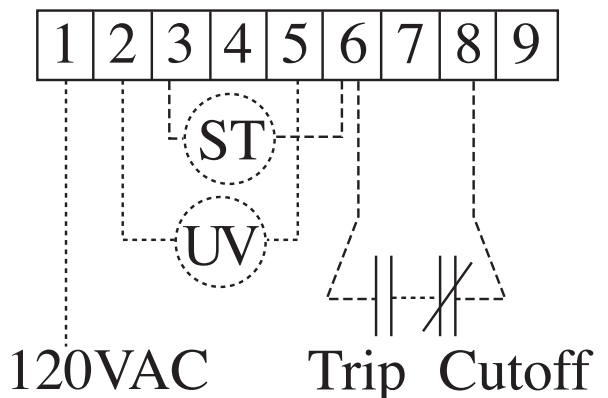
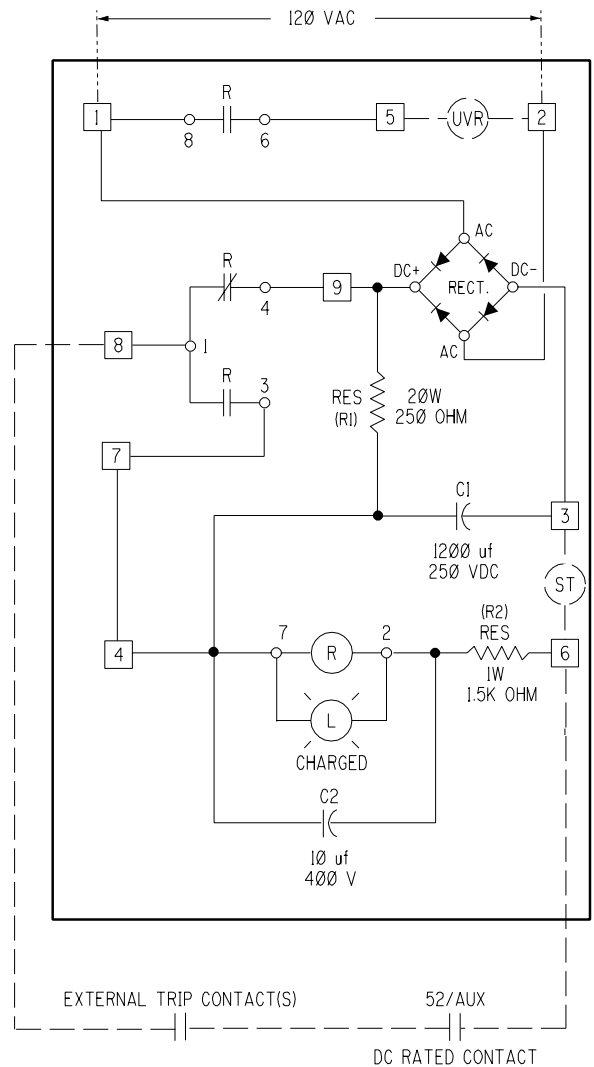
General Information

The D4005-1TC capacitor trip relay is designed for 120VAC. It is used with a shunt trip, and or undervoltage. It also has a safety power-up circuit that provides power to the shunt trip solenoid before the capacitor is fully charged. Once the capacitor is fully charged it will be available for shunt trip and the safety power-up circuit will be bypassed and the indicating light will illuminate.

Specifications

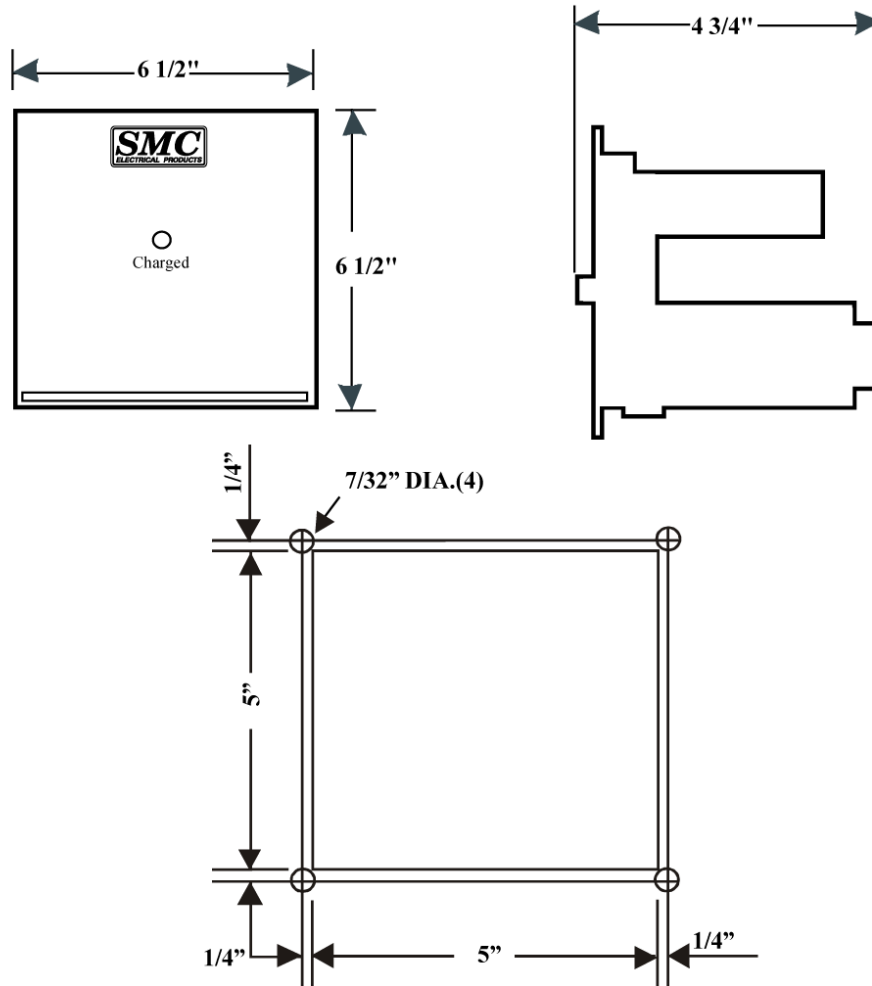
- Input Voltage: 120 VAC
- Trip Contacts: 10 Amps at 240 VAC
- Resistive
- Outout Voltage: 150 VDC

Schematic Diagram



Outline Dimensions

No unauthorized modification to Capacitor Trip Devices.



SMC Capacitor Trip Reference Matrix

Part #	Input Voltage	Output Voltage	Shunt Trip with Safety Power-up	Shunt Trip without Safety Power-up	Shunt Trip and Under Voltage	Shunt Trip and Under Voltage with Safety Power-up
D-4005-1	120 VAC	150 VDC		X		
D-4005-1A	120 VAC	150 VDC			X	
D-4005-2	240 VAC	300 VDC		X		
D-4005-2A	240 VAC	300 VDC			X	
D-4005-3	120 VAC	240 VDC			X	
D-4005-4	120 VAC	320 VDC			X	
D-4005-4M	120 VAC	320 VDC	**X			
D-4005-4M1	120 VAC	320 VDC		X		
D4005-TC	120 VAC	320 VDC				**X
D4005-1TC	120 VAC	150 VDC				**X

** Safety power-up circuit provides power to the shunt-trip solenoid before the capacitor is fully charged.